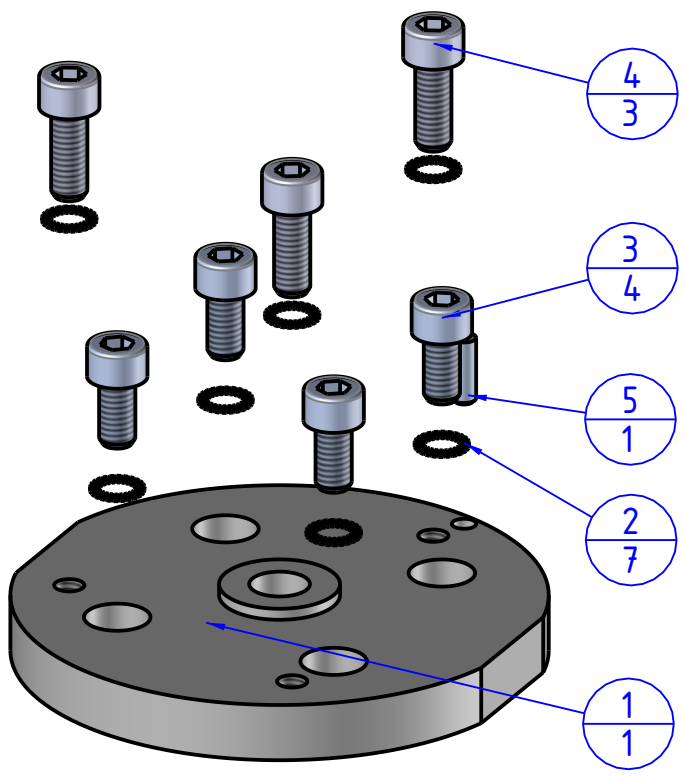
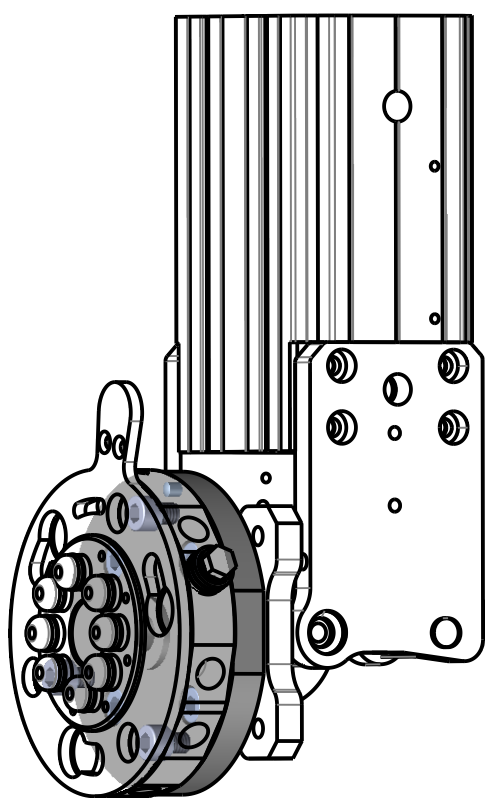
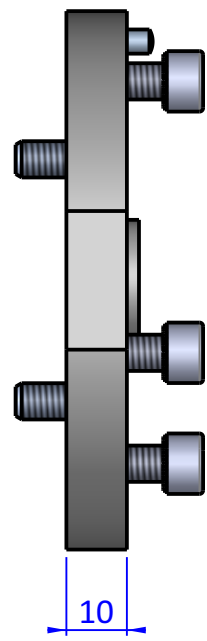
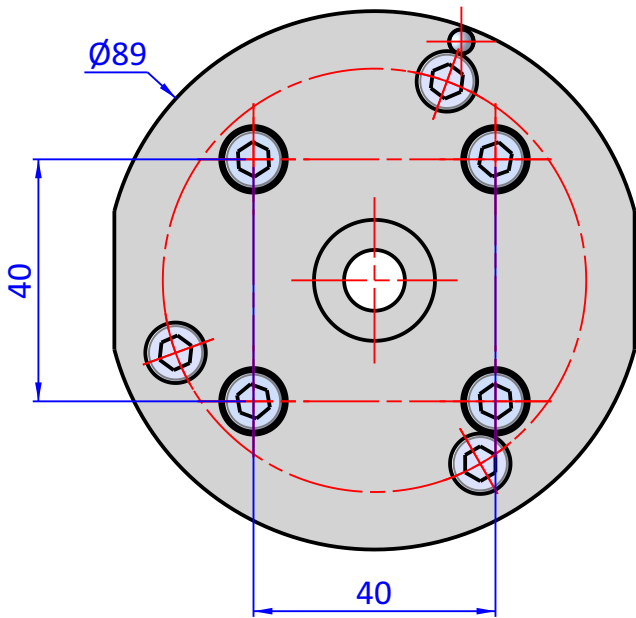
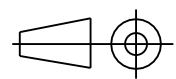


Item	Name	Q.ty
1	CU.90.IB	1
2	R.6.SCH	7
3	V.TCE6x12	4
4	V.TCE6x16	3
5	SP.4x12M6	1



THE PROPERTY OF THE DRAWING IS ESTABLISHED BY LAW. IT IS FORBIDDEN TO PRODUCE OR SHOW IT TO THIRD PART. WITHOUT A WRITTEN AGREEMENT.



DESIGNED FROM <b>FPS Automation</b>		REVIEW <b>A</b>
DATE <b>11/02/2026</b>	WEIGHT <b>0,181kg</b>	
CODE <b>CA.CU.90.IB</b>		

Format **A4**  
**UNI 936-76**

GENERAL TOLERANCE  
UNI - ISO 2768  
CLASSE **f**

DESCRIPTION  
**CA.CU.90.IB**